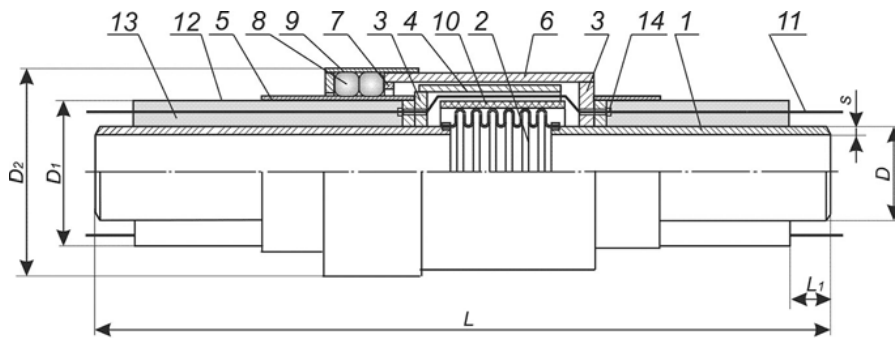


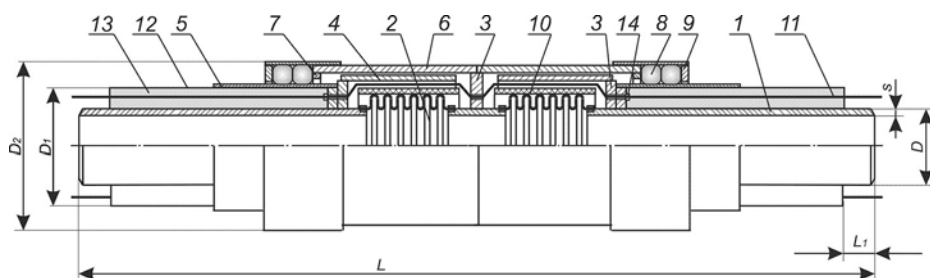
**Bellows compensation device (BCD) SCU, type PPU/OTs**



Single-bellows and double-bellows compensation devices consisting of one or two bellows and connection branch pipes further welded to a pipeline, with stroke limiters, a load-bearing casing and internal guide supports and the Rapid remote control system conductors. The bellows is thermally insulated. The inner surface of a bellows compensation device is waterproofed against ground waters by means of gland packing. The outer surface of bellows and branch pipes has a corrosion-resistant waterproof coating. The branch pipes of bellows compensation devices are PU-foam insulated and galvanized-steel sheathed.

Reference designation	PN, MPa	DN, mm	Axial stroke, 2λ <sub>1</sub> , mm	Dimensions, mm						Weight, kg
				D	D <sub>1</sub>	D <sub>2</sub>	s	L	L <sub>1</sub>	
СКУ.ППУ/ОЦ-16-57x4,0/140-40-ОДК-М01	1,6	50	40	57	140	188	4,0	1564	150	35
СКУ.ППУ/ОЦ-16-57x4,0/140-40-ОДК-М01		50	80	57	140	188	4,0	1628		50
СКУ.ППУ/ОЦ-16-76x4,0/160-80-ОДК-М01		65	80	76	160	211	4,0	1628		50
СКУ.ППУ/ОЦ-16-89x4,0/180-90-ОДК-М01		80	90	89	180	227	4,0	1652		55
СКУ.ППУ/ОЦ-16-108x4,0/200-120-ОДК-М01		100	120	108	200	253	4,0	1696		64
СКУ.ППУ/ОЦ-16-133x5,0/225-130-ОДК-М01		125	130	133	225	281	5,0	1710		76
СКУ.ППУ/ОЦ-16-159x6,0/250-150-ОДК-М01		150	150	159	250	307	6,0	1733		98
СКУ.ППУ/ОЦ-16-219x8,0/315-160-ОДК-М01		200	160	219	315	387	8,0	1820		163
СКУ.ППУ/ОЦ-16-273x8,0/400-180-ОДК-М01		250	180	273	400	464	8,0	1987		267
СКУ.ППУ/ОЦ-16-325x8,0/450-190-ОДК-М01		300	190	325	450	518	8,0	2010		321
СКУ.ППУ/ОЦ-16-377x9,0/500-190-ОДК-М01		350	190	377	500	570	9,0	2078	404	
СКУ.ППУ/ОЦ-16-426x9,0/560-200-ОДК-М01		400	200	426	560	630	9,0	2192	495	
СКУ.ППУ/ОЦ-16-530x8,0/675-210-ОДК-М02		500	210	530	675	752	8,0	2197	622	
СКУ.ППУ/ОЦ-16-530x8,0/710-210-ОДК-М02		500	210	530	710	787	8,0	2197	670	
СКУ.ППУ/ОЦ-16-630x8,0/775-220-ОДК-М02		600	220	630	775	854	8,0	2214	744	
СКУ.ППУ/ОЦ-16-630x8,0/800-220-ОДК-М02		600	220	630	800	878	8,0	2214	782	
СКУ.ППУ/ОЦ-16-720x8,0/875-220-ОДК-М02		700	220	720	875	957	8,0	2208	943	
СКУ.ППУ/ОЦ-16-720x8,0/900-220-ОДК-М02		700	220	720	900	982	8,0	2208	988	
СКУ.ППУ/ОЦ-16-820x9,0/975-240-ОДК-М02		800	240	820	975	1058	9,0	2198	1098	
СКУ.ППУ/ОЦ-16-820x9,0/1000-240-ОДК-М02		800	240	820	1000	1084	9,0	2198	1147	
СКУ.ППУ/ОЦ-16-920x10,0/1075-260-ОДК-М02	900	260	920	1075	1160	10,0	2228	1310		
СКУ.ППУ/ОЦ-16-920x10,0/1100-260-ОДК-М02	900	260	920	1100	1186	10,0	2228	1366		
СКУ.ППУ/ОЦ-16-1020x12,0/1175-260-ОДК-М02	1000	260	1020	1175	1270	12,0	2245	1573		
СКУ.ППУ/ОЦ-16-1020x12,0/1200-260-ОДК-М02	1000	260	1020	1200	1294	12,0	2245	1631		
СКУ.ППУ/ОЦ-16-1220x12,0/1375-260-ОДК-М02	1200	260	1220	1375	1472	12,0	2245	1865		
СКУ.ППУ/ОЦ-16-1220x12,0/1400-260-ОДК-М02	1200	260	1220	1400	1496	12,0	2245	1929		

Reference designation	PN, MPa	D N <sub>mm</sub>	Axial stroke, 2λ <sub>-1</sub> , mm	Dimensions, mm						Weight, kg
				D	D <sub>1</sub>	D <sub>2</sub>	s	L	L <sub>1</sub>	
СКУ.ППУ/ОЦ-25-57x4,0/140-40-ОДК-М01	2,5	50	40	57	140	188	4,0	1564	150	35
СКУ.ППУ/ОЦ-25-57x4,0/140-80-ОДК-М01		50	80	57	140	188	4,0	1628		50
СКУ.ППУ/ОЦ-25-76x4,0/160-80-ОДК-М01		65	80	76	160	211	4,0	1628		50
СКУ.ППУ/ОЦ-25-89x4,0/180-90-ОДК-М01		80	90	89	180	227	4,0	1652		55
СКУ.ППУ/ОЦ-25-108x4,0/200-120-ОДК-М01		100	120	108	200	253	4,0	1696		64
СКУ.ППУ/ОЦ-25-133x5,0/225-130-ОДК-М01		125	130	133	225	281	5,0	1710		76
СКУ.ППУ/ОЦ-25-159x6,0/250-150-ОДК-М01		150	150	159	250	307	6,0	1733		98
СКУ.ППУ/ОЦ-25-219x8,0/315-160-ОДК-М01		200	160	219	315	387	8,0	1820		163
СКУ.ППУ/ОЦ-25-273x8,0/400-180-ОДК-М01		250	180	273	400	464	8,0	1987		267
СКУ.ППУ/ОЦ-25-325x8,0/450-190-ОДК-М01		300	190	325	450	518	8,0	2010	321	
СКУ.ППУ/ОЦ-25-377x9,0/500-190-ОДК-М01		350	190	377	500	570	9,0	2036	404	
СКУ.ППУ/ОЦ-25-426x9,0/560-200-ОДК-М01		400	200	426	560	630	9,0	2073	495	
СКУ.ППУ/ОЦ-25-530x8,0/675-210-ОДК-М02		500	210	530	675	752	8,0	2081	622	
СКУ.ППУ/ОЦ-25-530x8,0/710-210-ОДК-М02		500	210	530	710	787	8,0	2081	670	
СКУ.ППУ/ОЦ-25-630x8,0/775-220-ОДК-М02		600	220	630	775	854	8,0	2112	744	
СКУ.ППУ/ОЦ-25-630x8,0/800-220-ОДК-М02		600	220	630	800	878	8,0	2112	782	
СКУ.ППУ/ОЦ-25-720x8,0/875-220-ОДК-М02		700	220	720	875	957	8,0	2208	943	
СКУ.ППУ/ОЦ-25-720x8,0/900-220-ОДК-М02		700	220	720	900	982	8,0	2208	988	
СКУ.ППУ/ОЦ-25-820x9,0/975-240-ОДК-М02		800	240	820	975	1058	9,0	2198	1098	
СКУ.ППУ/ОЦ-25-820x9,0/1000-240-ОДК-М02		800	240	820	1000	1084	9,0	2198	1147	
СКУ.ППУ/ОЦ-25-920x10,0/1075-260-ОДК-М02		900	260	920	1075	1160	10,0	2228	1310	
СКУ.ППУ/ОЦ-25-920x10,0/1100-260-ОДК-М02		900	260	920	1100	1186	10,0	2228	1366	
СКУ.ППУ/ОЦ-25-1020x12,0/1175-260-ОДК-М02		1000	260	1020	1175	1270	12,0	2245	1573	
СКУ.ППУ/ОЦ-25-1020x12,0/1200-260-ОДК-М02		1000	260	1020	1200	1294	12,0	2245	1631	
СКУ.ППУ/ОЦ-25-1220x12,0/1375-260-ОДК-М02		1200	260	1220	1375	1472	12,0	2245	1865	
СКУ.ППУ/ОЦ-25-1220x12,0/1400-260-ОДК-М02		1200	260	1220	1400	1496	12,0	2245	1929	



Reference designation	PN, MPa	DN, mm	Axial stroke, 2λ-1, mm	Dimensions, mm						Weight, kg
				D	D1	D2	s	L	L1	
2СКУ.ППУ/ОЦ-16-57x4,0/140-80-ОДК-М01	1,6	50	80	57	140	188	4,0	1948	150	57
2СКУ.ППУ/ОЦ-16-57x4,0/140-160-ОДК-М01		50	160	57	140	188	4,0	2076		84
2СКУ.ППУ/ОЦ-16-76x4,0/160-160-ОДК-М01		65	160	76	160	211	4,0	2076		84
2СКУ.ППУ/ОЦ-16-89x4,0/180-180-ОДК-М01		80	180	89	180	227	4,0	2108		85
2СКУ.ППУ/ОЦ-16-108x4,0/200-240-ОДК-М01		100	240	108	200	253	4,0	2212		112
2СКУ.ППУ/ОЦ-16-133x5,0/225-260-ОДК-М01		125	260	133	225	281	5,0	2240		132
2СКУ.ППУ/ОЦ-16-159x6,0/250-300-ОДК-М01		150	300	159	250	307	6,0	2286		180
2СКУ.ППУ/ОЦ-16-219x8,0/315-320-ОДК-М01		200	320	219	315	387	8,0	2450		243
2СКУ.ППУ/ОЦ-16-273x8,0/400-360-ОДК-М01		250	360	273	400	464	8,0	2664		415
2СКУ.ППУ/ОЦ-16-325x8,0/450-380-ОДК-М01		300	380	325	450	518	8,0	2710		503
2СКУ.ППУ/ОЦ-16-377x9,0/500-380-ОДК-М01		350	380	377	500	570	9,0	2846	634	
2СКУ.ППУ/ОЦ-16-426x9,0/560-400-ОДК-М01		400	400	426	560	630	9,0	3074	789	
2СКУ.ППУ/ОЦ-16-530x8,0/675-420-ОДК-М02		500	420	530	675	752	8,0	3084	985	
2СКУ.ППУ/ОЦ-16-530x8,0/710-420-ОДК-М02		500	420	530	710	787	8,0	3084	1054	
2СКУ.ППУ/ОЦ-16-630x8,0/775-440-ОДК-М02		600	440	630	775	854	8,0	3118	1185	
2СКУ.ППУ/ОЦ-16-630x8,0/800-440-ОДК-М02		600	440	630	800	878	8,0	3118	1236	
2СКУ.ППУ/ОЦ-16-720x8,0/875-440-ОДК-М02		700	440	720	875	957	8,0	3106	1532	
2СКУ.ППУ/ОЦ-16-720x8,0/900-440-ОДК-М02		700	440	720	900	982	8,0	3106	1594	
2СКУ.ППУ/ОЦ-16-820x9,0/975-480-ОДК-М02		800	480	820	975	1058	9,0	3086	1772	
2СКУ.ППУ/ОЦ-16-820x9,0/1000-480-ОДК-М02		800	480	820	1000	1084	9,0	3086	1840	
2СКУ.ППУ/ОЦ-16-920x10,0/1075-520-ОДК-М02		900	520	920	1075	1160	10,0	3146	2120	
2СКУ.ППУ/ОЦ-16-920x10,0/1100-520-ОДК-М02		900	520	920	1100	1186	10,0	3146	2196	
2СКУ.ППУ/ОЦ-16-1020x12,0/1175-520-ОДК-М02		1000	520	1020	1175	1270	12,0	3180	2534	
2СКУ.ППУ/ОЦ-16-1020x12,0/1200-520-ОДК-М02		1000	520	1020	1200	1294	12,0	3180	2610	
2СКУ.ППУ/ОЦ-16-1220x12,0/1375-520-ОДК-М02		1200	520	1220	1375	1472	12,0	3180	2998	
2СКУ.ППУ/ОЦ-16-1220x12,0/1400-520-ОДК-М02		1200	520	1220	1400	1496	12,0	3180	3085	

Reference designation	PN, MPa	D mm	Axial stroke, 2λ <sub>1</sub> , mm	Dimensions, mm						Weight, kg
				D	D <sub>1</sub>	D <sub>2</sub>	s	L	L <sub>1</sub>	
2СКУ.ППУ/ОЦ-25-57x4,0/140-80-ОДК- M01	2,5	50	80	57	140	188	4,0	1948	150	57
2СКУ.ППУ/ОЦ-25-57x4,0/140-160-ОДК- M01		50	160	57	140	188	4,0	2076		84
2СКУ.ППУ/ОЦ-25-76x4,0/160-160-ОДК- M01		65	160	76	160	211	4,0	2076		84
2СКУ.ППУ/ОЦ-25-89x4,0/180-180-ОДК- M01		80	180	89	180	227	4,0	2124		85
2СКУ.ППУ/ОЦ-25-108x4,0/200-240-ОДК- M01		100	240	108	200	253	4,0	2212		112
2СКУ.ППУ/ОЦ-25-133x5,0/225-260-ОДК- M01		125	260	133	225	281	5,0	2240		132
2СКУ.ППУ/ОЦ-25-159x6,0/250-300-ОДК- M01		150	300	159	250	307	6,0	2286		180
2СКУ.ППУ/ОЦ-25-219x8,0/315-320-ОДК- M01		200	320	219	315	387	8,0	2450		243
2СКУ.ППУ/ОЦ-25-273x8,0/400-360-ОДК- M01		250	360	273	400	464	8,0	2664	210	415
2СКУ.ППУ/ОЦ-25-325x8,0/450-380-ОДК- M01		300	380	325	450	518	8,0	2710		503
2СКУ.ППУ/ОЦ-25-377x9,0/500-380-ОДК- M01		350	380	377	500	570	9,0	2762		634
2СКУ.ППУ/ОЦ-25-426x9,0/560-400-ОДК- M01		400	400	426	560	630	9,0	2836		789
2СКУ.ППУ/ОЦ-25-530x8,0/675-420-ОДК- M02		500	420	530	675	752	8,0	2852		985
2СКУ.ППУ/ОЦ-25-530x8,0/710-420-ОДК- M02		500	420	520	710	787	8,0	2852		1054
2СКУ.ППУ/ОЦ-25-630x8,0/775-440-ОДК- M02		600	440	630	775	854	8,0	2914		1185
2СКУ.ППУ/ОЦ-25-630x8,0/800-440-ОДК- M02		600	440	630	800	878	8,0	2914		1236
2СКУ.ППУ/ОЦ-25-720x8,0/875-440-ОДК- M02		700	440	720	875	957	8,0	3106	1532	
2СКУ.ППУ/ОЦ-25-720x8,0/900-440-ОДК- M02		700	440	720	900	982	8,0	3106	1594	
2СКУ.ППУ/ОЦ-25-820x9,0/975-480-ОДК- M02		800	480	820	975	1058	9,0	3086	1772	
2СКУ.ППУ/ОЦ-25-820x9,0/1000-480-ОДК- M02		800	480	820	1000	1084	9,0	3086	1840	
2СКУ.ППУ/ОЦ-25-920x10,0/1075-520-ОДК- M02		900	520	920	1075	1160	10,0	3146	2120	
2СКУ.ППУ/ОЦ-25-920x10,0/1100-520-ОДК- M02		900	520	920	1100	1186	10,0	3146	2196	
2СКУ.ППУ/ОЦ-25-1020x12,0/1175-520-ОДК- M02		1000	520	1020	1175	1270	12,0	3180	2534	
2СКУ.ППУ/ОЦ-25-1020x12,0/1200-520-ОДК- M02		1000	520	1020	1200	1294	12,0	3180	2610	
2СКУ.ППУ/ОЦ-25-1220x12,0/1375-520-ОДК- M02		1200	520	1220	1375	1472	12,0	3180	2998	
2СКУ.ППУ/ОЦ-25-1220x12,0/1400-520-ОДК- M02		1200	520	1220	1400	1496	12,0	3180	3085	